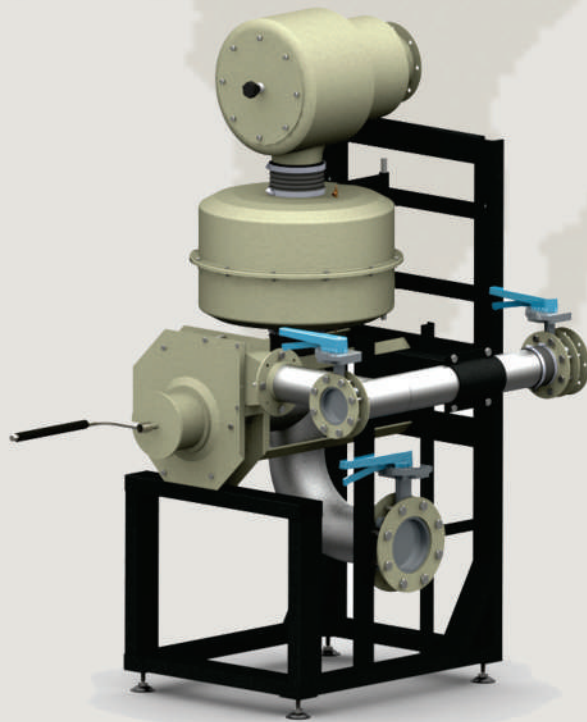


SAMHOON

CBRNe NBC Filter

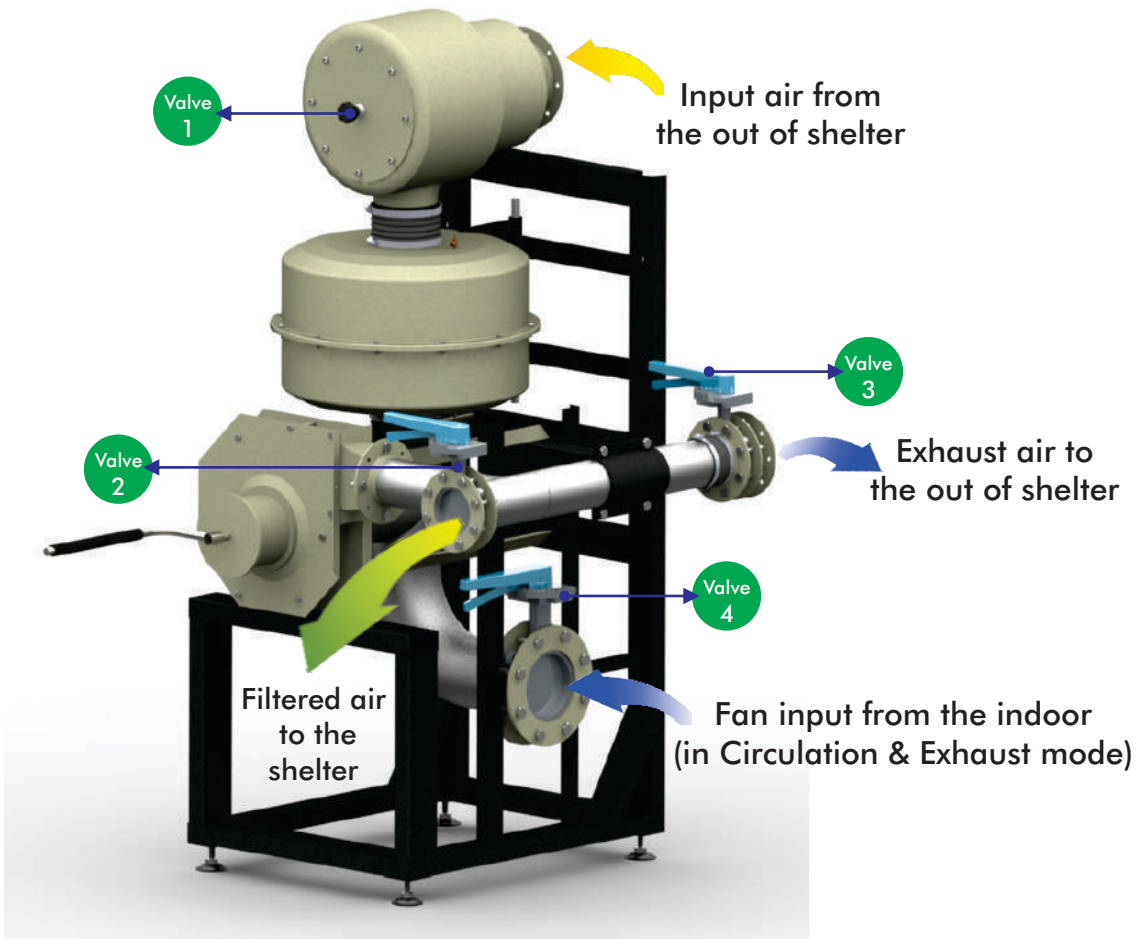


SHVF NBC O30 B MODEL

Application:

- CBRNe System
- NBC Shelter
- Underground bunkers
- Safe rooms
- Nuclear facilities
- Chemical plant
- Mobile System

SAMHOON



Mode	Valve1	Valve2	Valve3	Valve4
Filtration Mode	Open	Open	Close	Close
Exhaust Mode	Close	Close	Open	Open
Circulation Mode	Close	Open	Close	Open

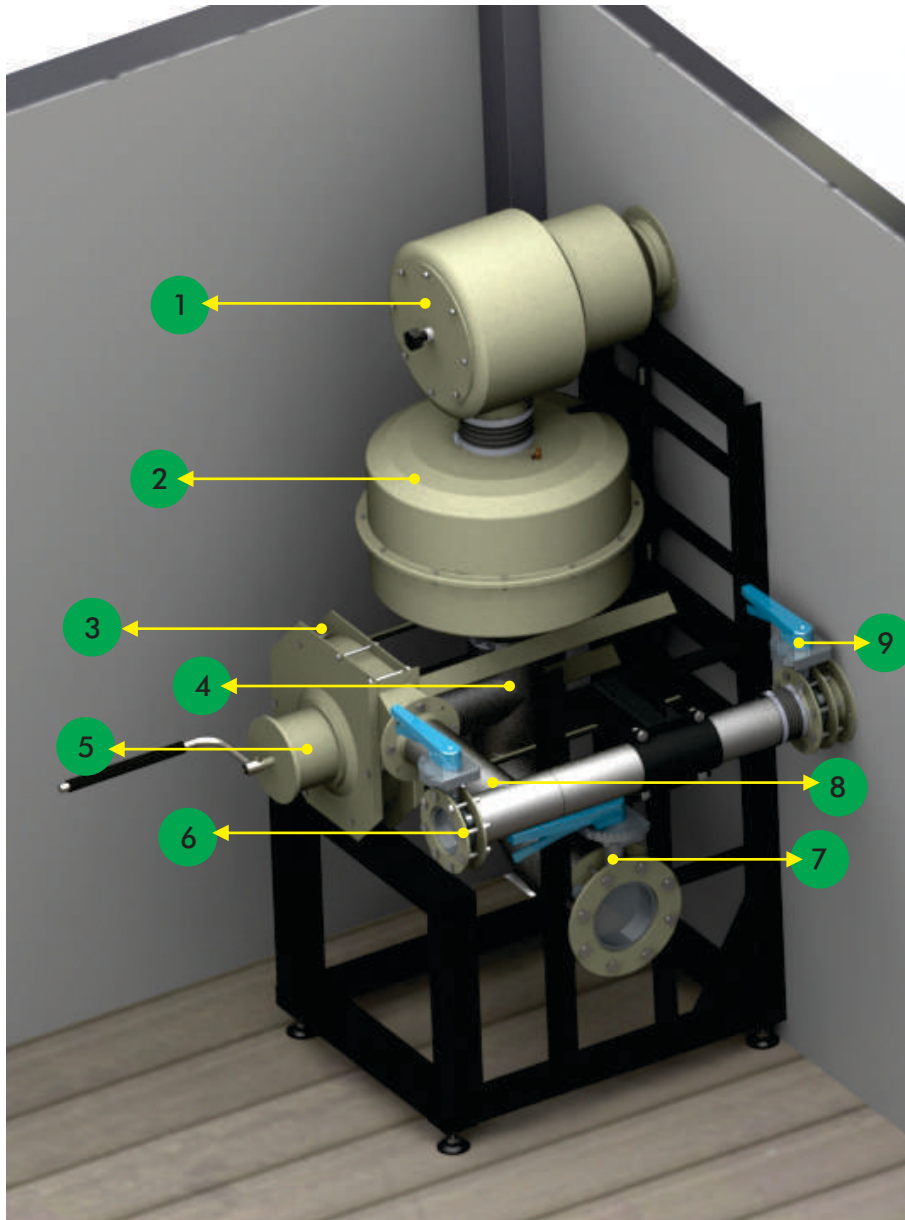
Mode1 (Filtration Mode): Outdoor air filtration and shelter indoor air pressurized with filtrated air.

Mode2 (Exhaust Mode): Shelter indoor air exhaust to out of shelter.

Mode3 (Circulation Mode): Circulation of the shelter indoor air.



The valves can be have pneumatic or electrical actuator to control the Operation1 and operation2 automatically with tow control key.(Optional)



Application:

CBRNe System
NBC Shelter
Underground bunkers
Safe rooms
Nuclear facilities
Chemical plant
Mobile System

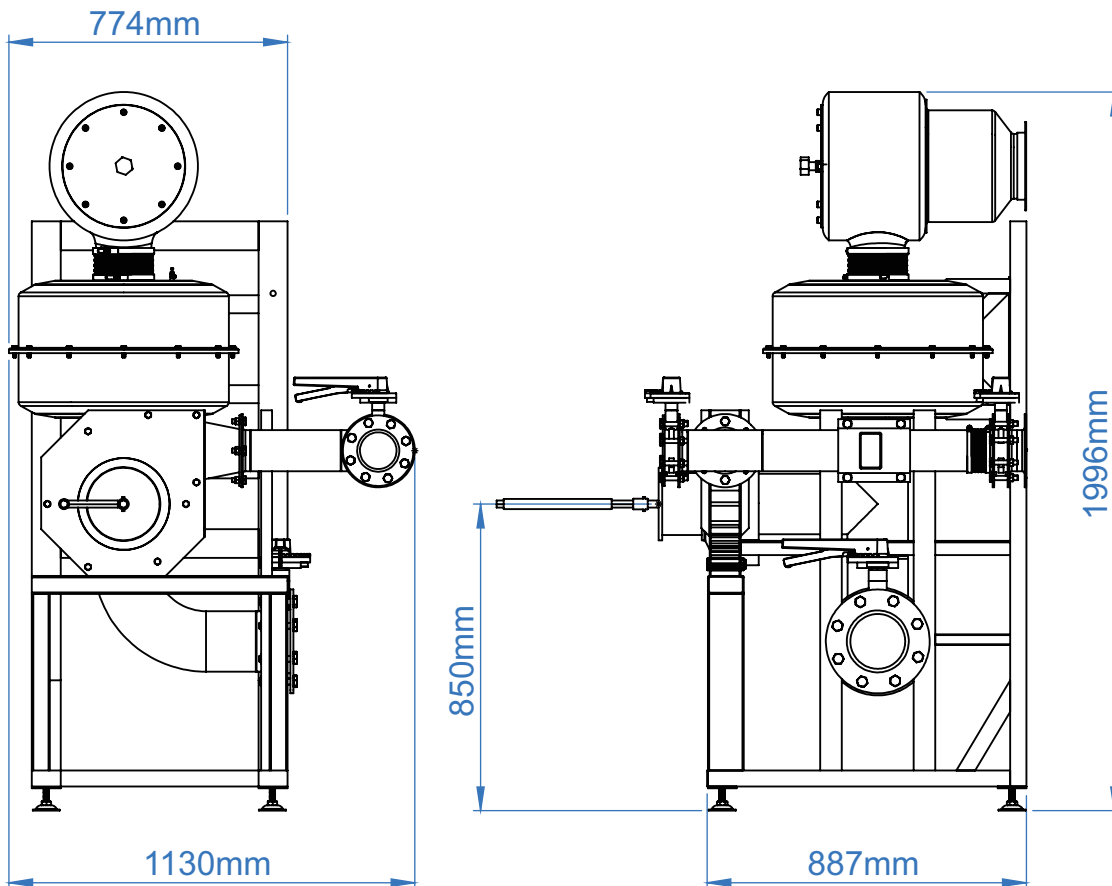
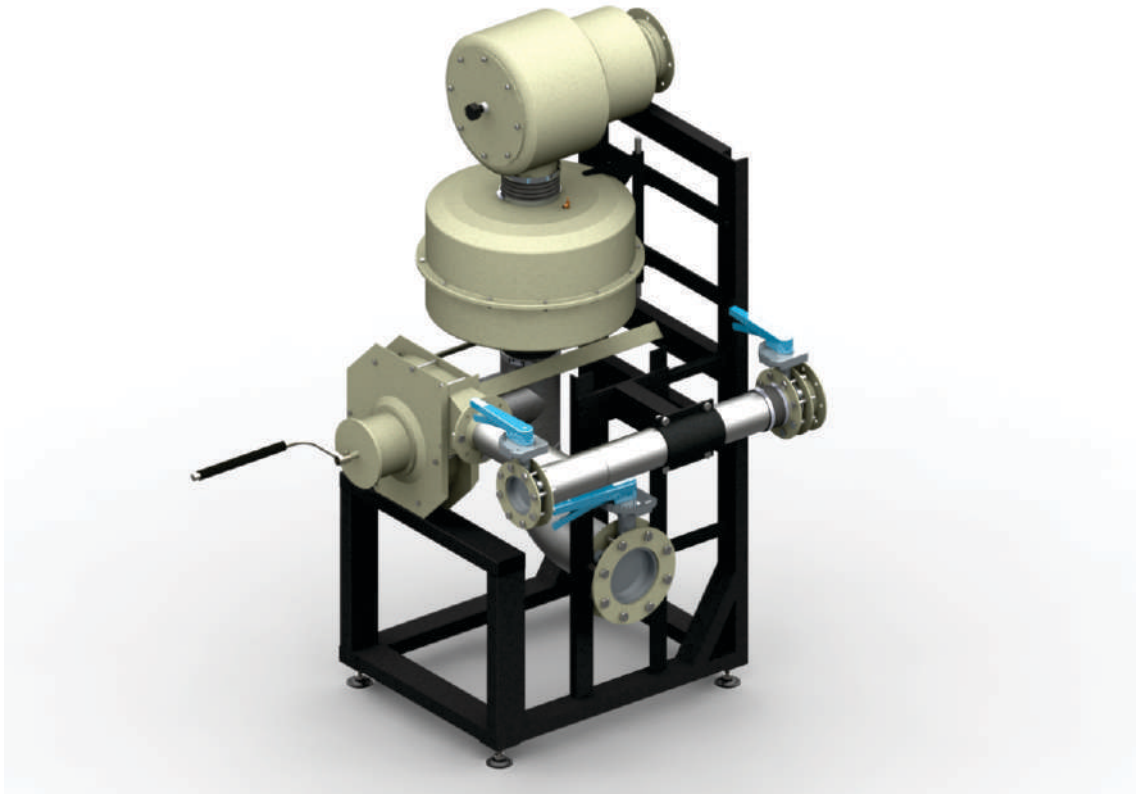
Parts of this Filtration System

1. Adjustable Blast valve
2. Filter
3. Fan
4. Straight tee
5. Handle Drive Gear Box
6. Valve connected to the Outlet fan
7. Valve connected with the indoor air
8. Fan Outlet connected to the Straight tee
9. Valve connected to the outdoor air

SAMHOON

SHAVF NBC 030B - 030 Series CBRNe (NBC) Filter

Approximate Dimensions:



NBC Filtration System

Application:

CBRNe System
NBC Shelter
Underground bunkers
Safe rooms
Nuclear facilities
Chemical plant
Mobile System

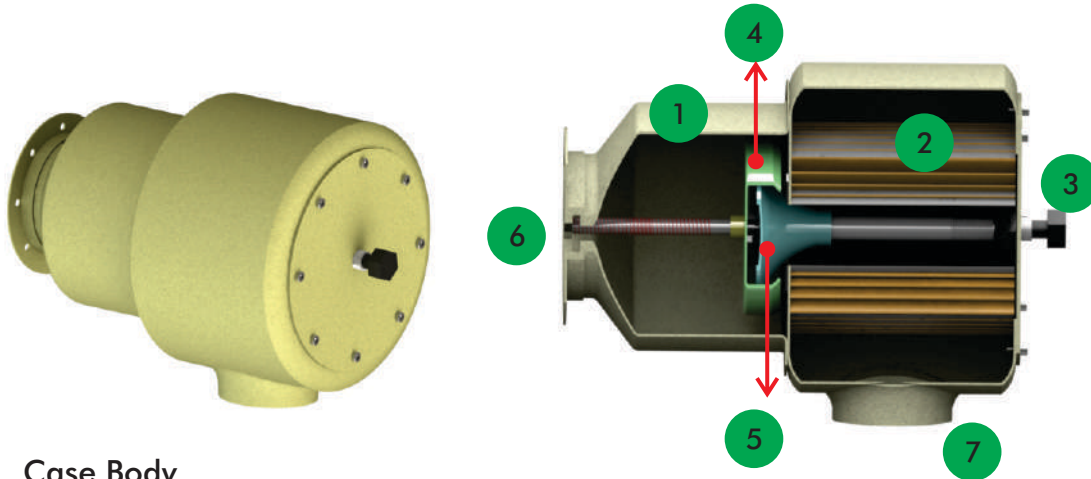
SAMHOON

Address: #561, Songrea-Dong
Sosa-Gu
Bucheon City
Kyunggi-Do, Korea

Tel: +82-32-661-3501~4
Fax: +82-32-661-3505
Mobile: +82-10-9764-0217
or +82-10-9105-3503

www.samhoon.com
samhoon@samhoon.com

Adjustable Blast Valve:



- 1. Case Body
- 2. Prefilter
- 3. Manual Valve
- 4. Disc
- 5. Gastight Body
- 6. Input
- 7. Output

Application:

- CBRNe System
- NBC Shelter
- Underground bunkers
- Safe rooms
- Nuclear facilities
- Chemical plant
- Mobile System

Approximate Dimensions:

Adjustable Blast valve	Hand crank fan

SAMHOON

Address: #561, Songrea-Dong
Sosa-Gu
Bucheon City
Kyunggi-Do, Korea

Tel: +82-32-661-3501~4
Fax: +82-32-661-3505
Mobile: +82-10-9764-0217
or +82-10-9105-3503

www.samhoon.com
samhoon@samhoon.com