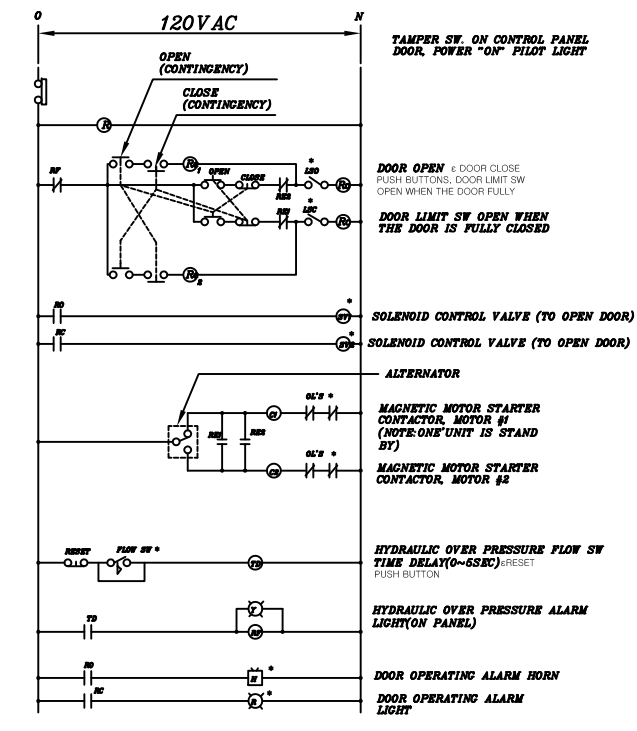


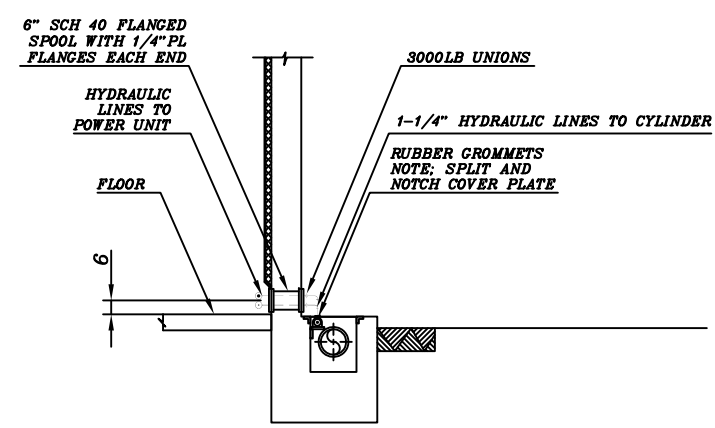
NOTE:
 PIPE HOSES SHOWN ARE FOR GUIDANCE ONLY, ACTUAL PIPE & HOSE SIZES SHALL BE AS PER MANUFACTURER'S RECOMMENDATIONS

1 CONCRETE DOOR OPERATOR PLAN
 SCALE: 1/2"=1'-0"

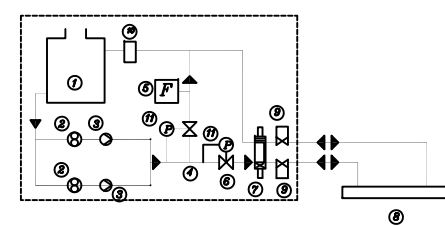


NOTE: ALL ITEMS, EXCEPT THOSE MARKED * ARE LOCATED IN THE DOOR CONTROL PANEL

4 DOOR CONTROL DIAGRAM
 NOT TO SCALE (TYPICAL OF 2EA)

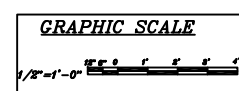


2 SECTION
 SCALE: 1/2"=1'-0"

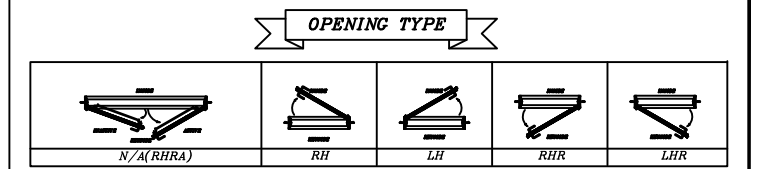


| ITEM NO | DESCRIPTION |
|---------|--|
| 1 | 20GAL RESERVOIR |
| 2 | PUMP |
| 3 | CHECK VALVE |
| 4 | PRESSURE RELIEF VALVE(350PSI OPENING PRESSURE) |
| 5 | FLOW SWITCH |
| 6 | PRESSURE REGULATING VALVE(170PSI OPENING PRESSURE) |
| 7 | 4-WAY FLOW CONTROL VALVE |
| 8 | DOOR CYLINDER |
| 9 | SOLENOID VALVE |
| 10 | FILTER |
| 11 | PRESSURE GAUGE |

3 FLOW DIAGRAM
 NOT TO SCALE



NOTES
SEQUENCE OF OPERATION
 TO OPEN DOOR:
 MAINTAINED CONTACT "OPEN" PUSH BUTTON IS DEPRESSED DOOR WILL MOVE TOWARD FULLY OPEN POSITION AS LONG AS PUSH BUTTON IS DEPRESSED DOOR WILL STOP IF PUSH BUTTON IS RELEASED "OPEN" LIMIT SWITCH THE DOOR CYLINDER WILL BE DEACTIVATED AND THE DOOR WILL STOP THE HYDRAULIC PUMP UNIT WILL SHUT DOWN.
 TO CLOSE DOOR:
 MAINTAINED CONTACT "CLOSE" PUSH BUTTON IS DEPRESSED DOOR WILL MOVE TOWARD THE CLOSE POSITION AS LONG AS THE PUSH BUTTON IS DEPRESSED DOOR WILL STOP IF PUSH BUTTON IS RELEASED "CLOSE" BUTTON ACTIVATES PUMP "CLOSE-CONTINGENCY" ACTIVATES PUMPS THEN THE DOOR REACHES THE "CLOSED" LIMIT SWITCH THE DOOR CYLINDER WILL BE DEACTIVATED AND THE DOOR WILL STOP THE HYDRAULIC PUMP UNIT WILL SHUT DOWN.
 NOTE:
 CONTINGENCY CONDITIONS ARE WHEN THE DOOR GETS STUCK OR WHEN QUICK CLOSING/OPENING OF DOOR ARE REQUIRED

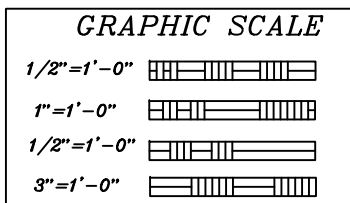
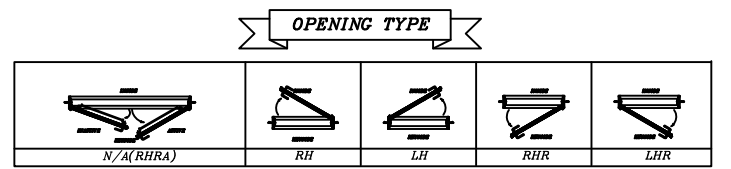
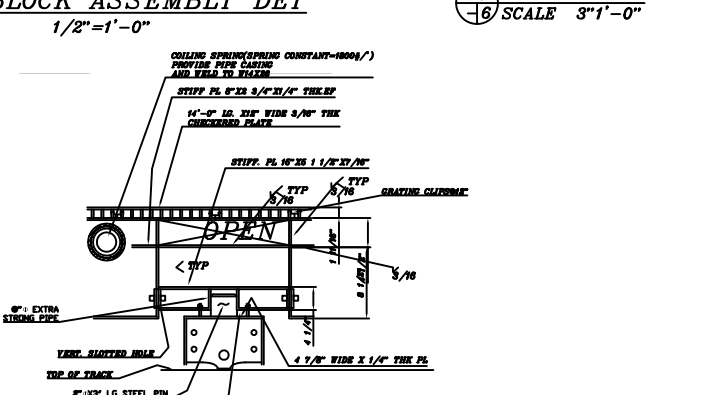
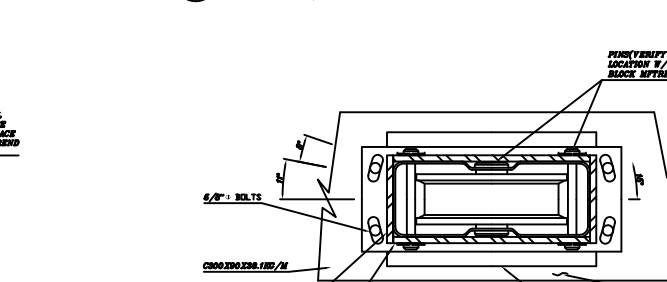
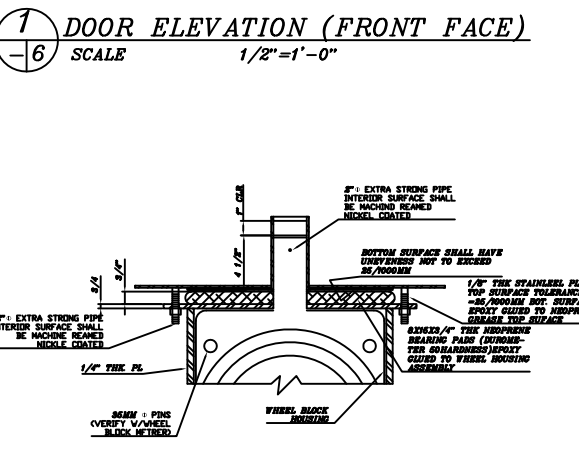
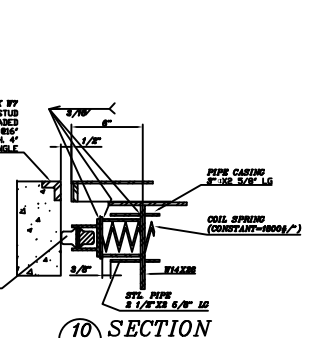
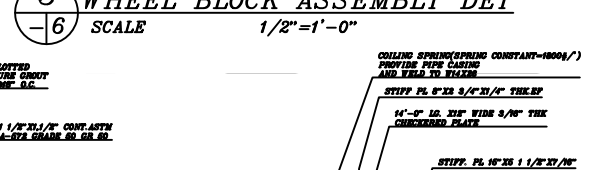
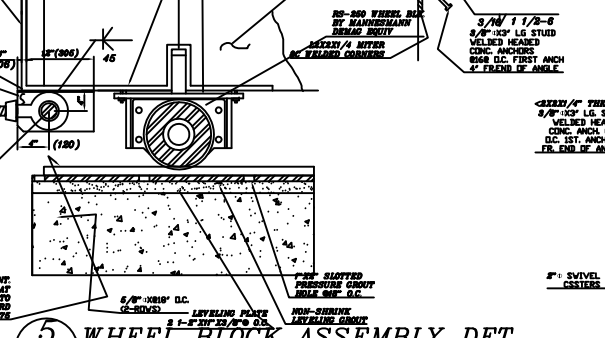
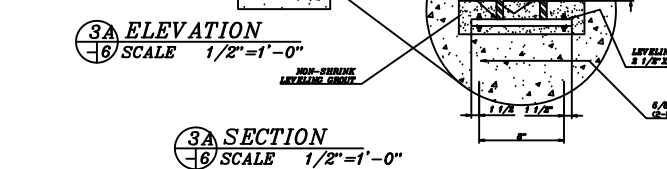
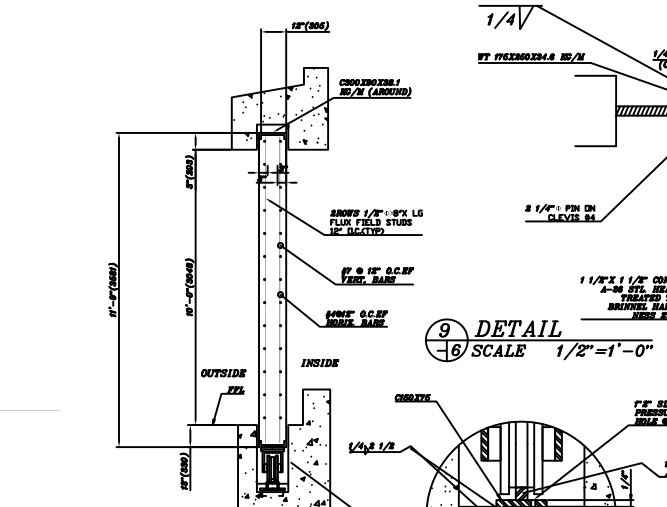
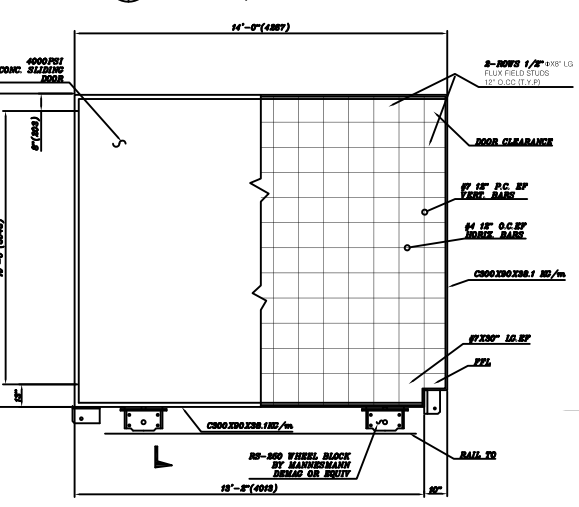
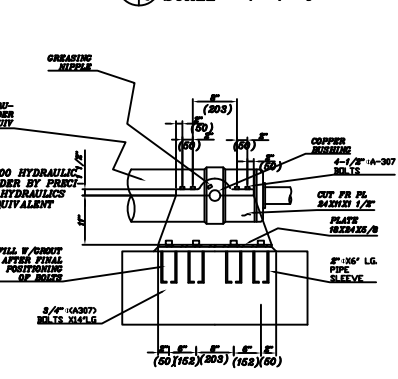
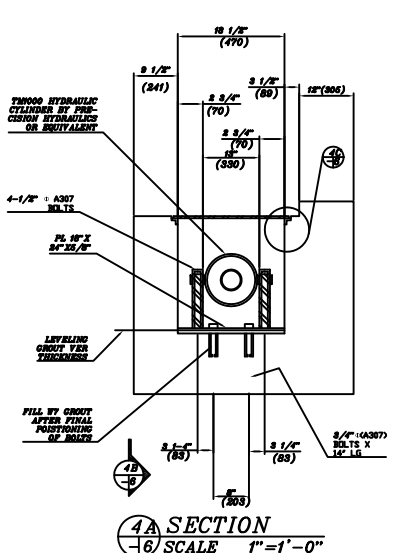
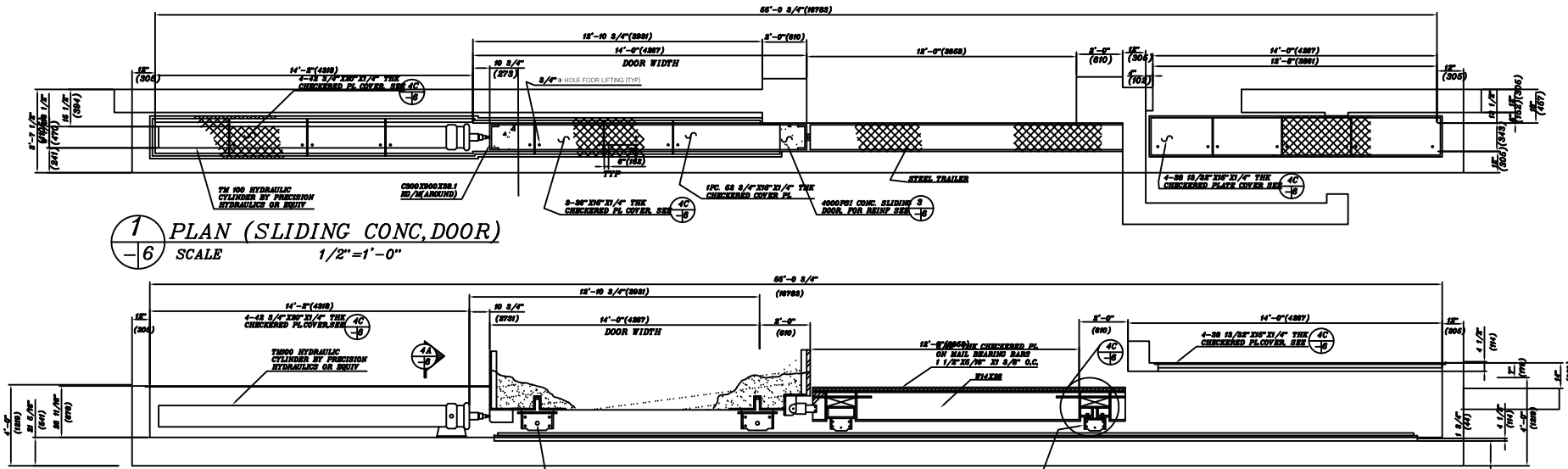


SAMHOON ENGINEERING CO.,LTD.



SAMHOON CO., LTD.
 #256 Kyungin-Ro,
 Bucheon City, Gyeonggi Province, Korea
 TEL:(82)-32-661-3501/FAX:(82)-32-661-3505
 http://www.samhoon.com E-Mail:samhoon@samhoon.com

| REV | DATE | DESCRIPTION | BY | CHKD | APPRD | REFERENCE DRAWINGS | CAD FILE REF. | SHEET NO. | SCALE | TITLE : |
|-----|--------|--------------------|---------|---------|---------|--------------------|---|--------------|-------|---|
| | | | | | | | | | | SLIDING BLAST DOOR |
| | | | | | | | | | | ECM POD SHOP AND STORAGE FACILITY ECM POD |
| | | | | | | | | | | MECHANICAL CONCRETE DOOR OPERATOR PLAN& DETAILS |
| 15 | JAN.98 | ISSUED FOR DRAWING | S.H.KIM | J.S.KIM | J.S.MOO | CONTENT OF NOTES | U.S.ARMY ENGINEER DIVISION, PACIFIC OCEAN CORPS OF ENGINEERS HONOLULU, HAWAII | SAMHOON- 001 | N/S | |



| REV | DATE | DESCRIPTION | BY | CHKD | APPRD | REFERENCE DRAWINGS | CAD FILE REF. | SHEET NO. | SCALE |
|-----|-----------|--------------------|---------|---------|---------|--------------------|---|-------------|-------|
| △ | 15.JAN.98 | ISSUED FOR DRAWING | S.H.KIM | J.S.KIM | J.S.MOO | CONTENT OF NOTES | U.S.ARMY ENGINEER DIVISION, PACIFIC OCEAN CORPS OF ENGINEERS HONOLULU, HAWAII | SAMHOON-002 | N/S |

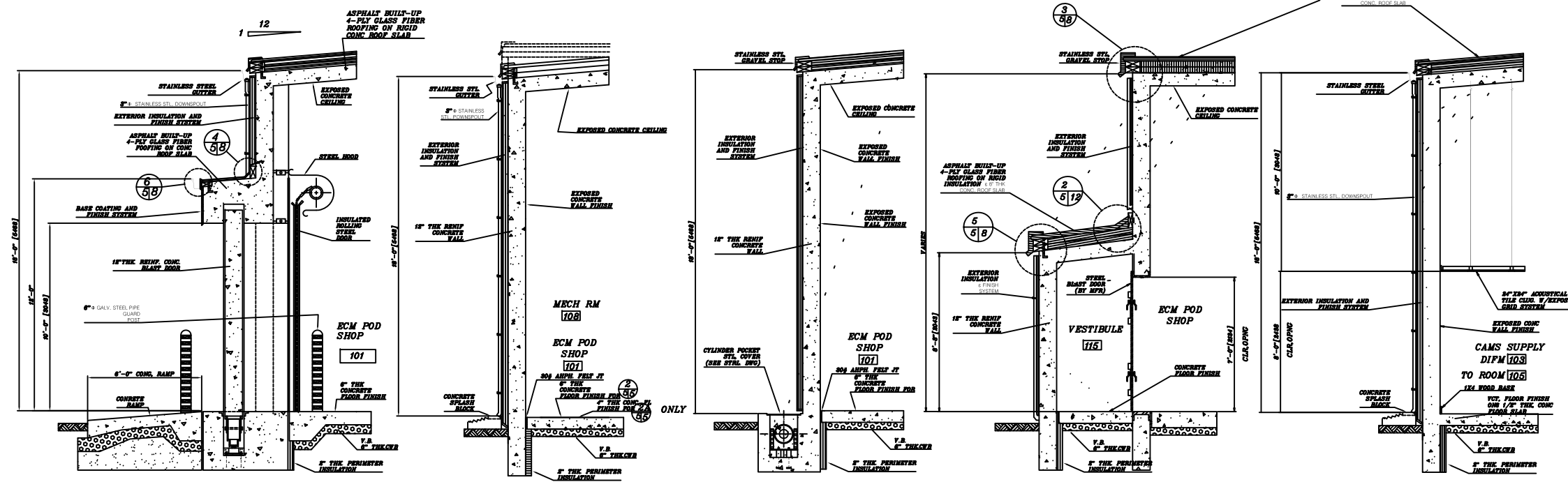
SAMHOON ENGINEERING CO.,LTD.

SAMHOON

SAMHOON CO., LTD.
#256 Kyungin-Ro,
Bucheon City, Gyeonggi Province, Korea
TEL:(82)-32-661-3501/FAX:(82)-32-661-3505
http://www.samhoon.com E-Mail:samhoon@samhoon.com

TITLE : SLIDING BLAST DOOR

ECM POD SHOP AND STORAGE FACILITY
ECM POD
STRUCTURAL SLIDING CONC. DOOR DETS.



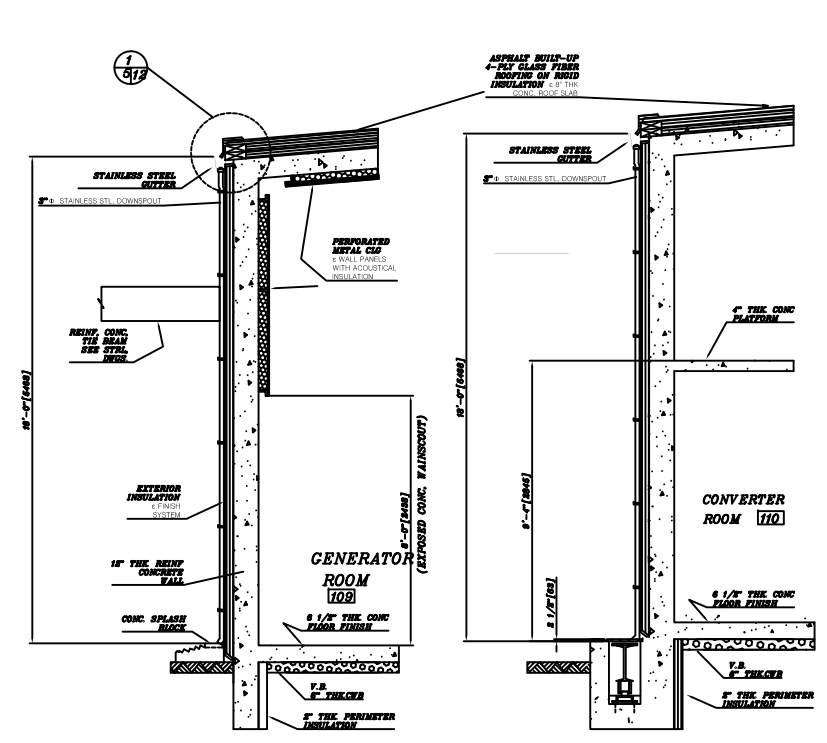
1 SECTION
SCALE: 1/2"=1'-0"

2 SECTION
SCALE: 1/2"=1'-0"

3 SECTION
SCALE: 1/2"=1'-0"

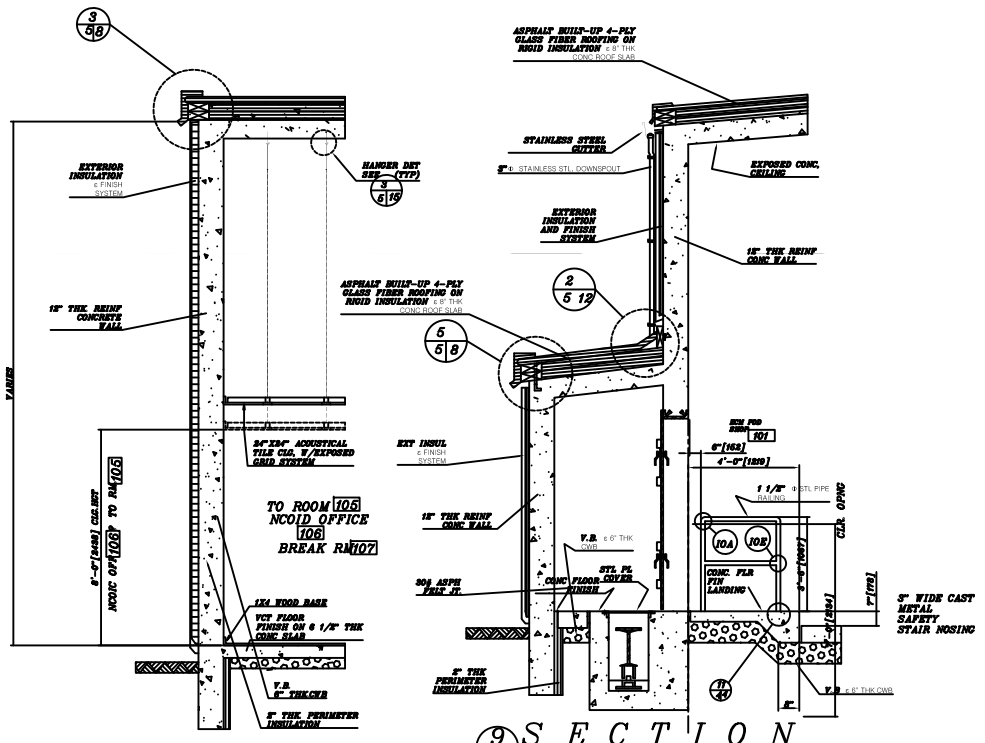
4 SECTION
SCALE: 1/2"=1'-0"

5 SECTION
SCALE: 1/2"=1'-0"

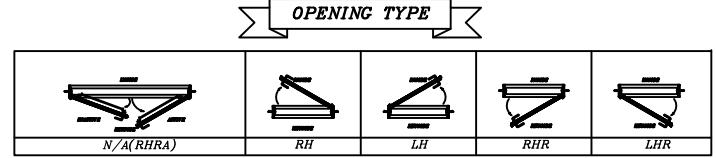
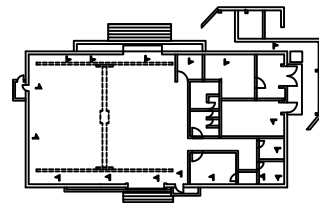


6 SECTION
SCALE: 1/2"=1'-0"

7 SECTION
SCALE: 1/2"=1'-0"



9 SECTION
SCALE: 1/2"=1'-0"



SAMHOON ENGINEERING CO., LTD.

SAMHOON

SAMHOON CO., LTD.
#256 Kyungin-Ro,
Bucheon City, Gyeonggi Province, Korea
TEL: (82)-32-661-3501/FAX: (82)-32-661-3505
http://www.samhoon.com E-Mail:samhoon@samhoon.com

| REV | DATE | DESCRIPTION | BY | CHKD | APPRD | REFERENCE DRAWINGS | CAD FILE REF. | SHEET NO. | SCALE |
|-----|-----------|--------------------|---------|---------|---------|--------------------|---|-------------|-------|
| △ | 15.JAN.98 | ISSUED FOR DRAWING | S.H.KIM | J.S.KIM | J.S.MOO | CONTENT OF NOTES | U.S.ARMY ENGINEER DIVISION, PACIFIC OCEAN CORPS OF ENGINEERS HONOLULU, HAWAII | SAMHOON-003 | N/S |

TITLE : SLIDING BLAST DOOR
ECM POD SHOP AND STORAGE FACILITY
ECM POD
WALL SECTIONS(EXTERIOR)